

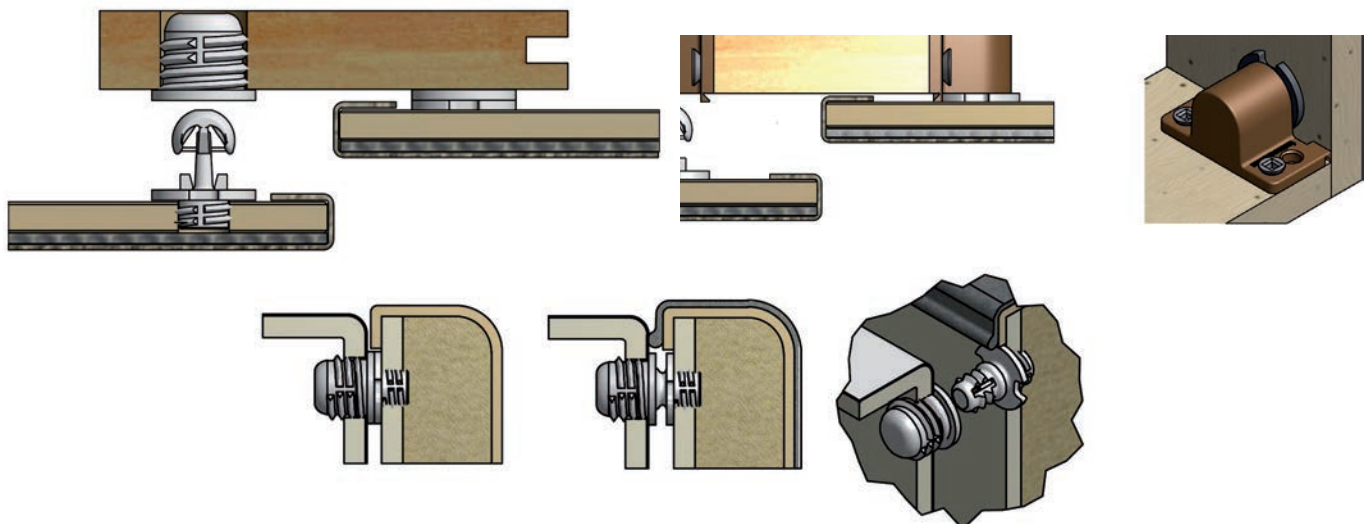
PANEL MOUNTING SYSTEM STANDARD RANGE

New world standard for mounting removable panels. Originally designed for the demanding superyacht industry, the patented & EU design registered system delivers a flawless finish with perfect alignment. Panels can easily be removed and refitted in any sequence, time after time.

Combining speed, versatility and an outstanding aesthetic result, Fastmount enables designers, installers and contractors in the Architectural, Aviation, RV and Marine sectors to re-think the panelling process. With Fastmount, the only limitation is your imagination.

Panel mounting systems

 <p>MALE SELF TAPPING STANDARD PC-M1A</p> <p style="text-align: right;">Ref.: 120902</p>	 <p>MALE SELF TAPPING VARIO STANDARD PC-VM1</p> <p style="text-align: right;">Ref.: 120904</p>
 <p>MALE SELF TAPPING HEAVY DUTY STANDARD PC-M2H</p> <p style="text-align: right;">Ref.: 120903</p>	 <p>MALE ADHESIVE SURFACE MOUNT STANDARD PC-SM2</p> <p style="text-align: right;">Ref.: 120905</p>
 <p>MALE ADHESIVE SURFACE MOUNT HEAVY DUTY STANDARD PC-SM2H</p> <p style="text-align: right;">Ref.: 120906</p>	 <p>FEMALE SELF TAPPING STANDARD PC-F1A</p> <p style="text-align: right;">Ref.: 120907</p>
 <p>FEMALE SURFACE MOUNT STANDARD PC-SF1</p> <p style="text-align: right;">Ref.: 120908</p>	 <p>FEMALE SIDE MOUNT STANDARD PC-RF1</p> <p style="text-align: right;">Ref.: 120909</p>
 <p>FEMALE AUTO FIT STANDARD PC-AF1</p> <p style="text-align: right;">Ref.: 120910</p>	 <p>CENTRE POINT STANDARD CP-01A</p> <p style="text-align: right;">Ref.: 120960</p>
 <p>CENTRE POINT STANDARD-STAINLESS STEEL TIP CP-01ST</p> <p style="text-align: right;">Ref.: 120961</p>	 <p>CENTRE POINT STANDARD-STAINLESS STEEL TIP CP-01ST</p> <p style="text-align: right;">Ref.: 120961</p>



LOW PROFILE RANGE

Ideal for applications that require less depth compared to the Standard Clip range, with lateral movement in female clip half. Interchangeable within the range. Installs into various materials such as MDF, drywall and foam core panels. Ideal for removable wall panels, acoustic panels, bedheads, thin walled panels and curved panels. Supplied with installation and removal tools.

FEMALE SELF TAPPING LOW PROFILE LP-F8

Ref.: 120920



FEMALE COARSE THREAD SELF TAPPING LOW PROFILE LP-DF8

Ref.: 120921



MALE SELF TAPPING LOW PROFILE LP-M8

Ref.: 120922



MALE ADHESIVE SURFACE MOUNT LOW PROFILE LP-SM8

Ref.: 120923



FEMALE AUTOFIT LOW PROFILE LP-AF8

Ref.: 120924



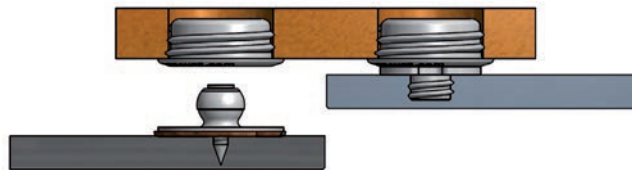
CENTRE POINT LOW PROFILE CP-08

Ref.: 120965



CENTRE POINT LOW PROFILE-STAINLESS STEEL TIP CP-08ST

Ref.: 120966



VERY LOW PROFILE RANGE

Perfect for mounting removable thin wall panels and facings, these clip sets require less depth compared to other Fastmount ranges. No special installation tools are required. Designed and made in NZ the clip sets may be adhesive and/or screw fixed. Ideal for mounting panels where no drilling is preferred. Typical applications include wall panels, bed heads and inspection panels.

CLIP SET VERY LOW PROFILE VL-03

Ref.: 120930



FEMALE CLIP VERY LOW PROFILE VL-F3

Ref.: 120931



MALE CLIP VERY LOW PROFILE VL-M3

Ref.: 120932



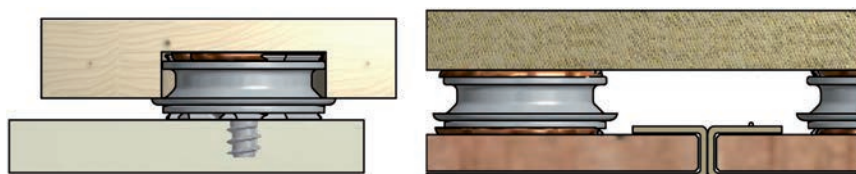
SCREW VERY LOW PROFILE STAINLESS STEEL VL-SS3

Ref.: 120933



CENTRE POINT VERY LOW PROFILE VL-CP3

Ref.: 120970



METAL RANGE

These patent pending metal based clips are specifically designed for demanding applications requiring fire protection and heavy load bearing.



CLIP SET SELF TAPPING MAXI METAL MC-05

Ref.: 120940



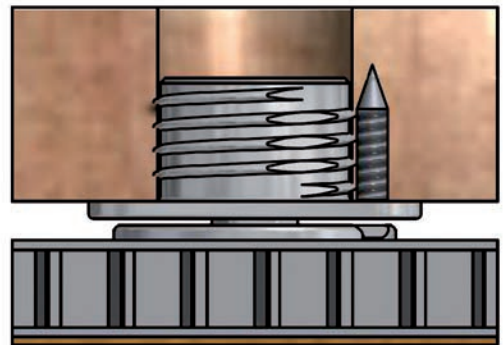
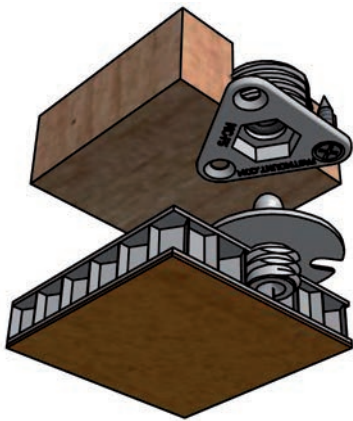
CENTRE POINT FOR MAXI METAL MC-CP5

Ref.: 120971



TOOLING FOR FEMALE MAXI METAL MC-IT

Ref.: 120972



Panel mounting systems

PANEL CONTROL RANGE

PanelSafe restraint systems provide added security and control. The panel is suspended below the ceiling for convenient servicing behind the panel or controlled removal of the panel by releasing the wire. For use with Fastmount Standard Range clip system. Ideal for inspection panels, large and/or heavy ceiling panels



EASY FIT SELF TAPPING PANELSAFE 150MM PS-150E

Ref.: 120945



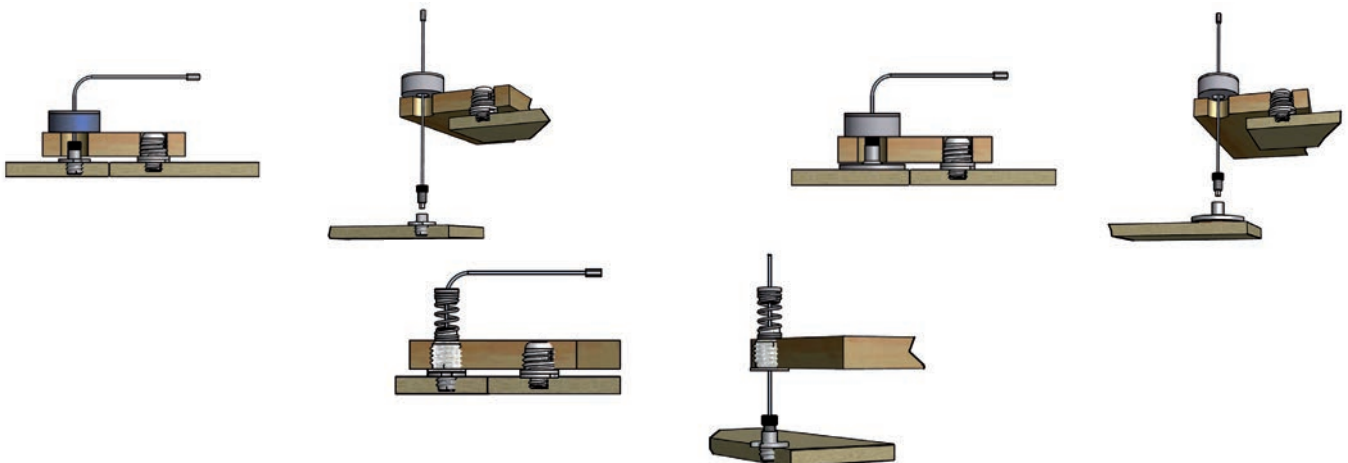
EASY FIT PANELSAFE SURFACE MOUNT 150MM PS-S150E

Ref.: 120946



PANELSAFE WITH SPRING 150MM PS-150

Ref.: 120947



INSTALLATION TOOLS

For quality installation and performance, the Standard Clip Range and Low Profile Clip Range are supplied with installation and removal tools.

DRILL 10MM WITH SHOULDER CT-01

Ref.: 120975



DRILL 16,8MM CT-07 FOR PC-F1A

Ref.: 120976



PANEL DRILL FORSTNER TYPE CT-09 FOR STANDARD, LOW PROFILE AND MAXI METAL RANGES

Ref.: 120977



CARBIDE TIP STEP DRILL 16,8MM CT-13A FOR PC-F1A

Ref.: 120978



TAP CT-15 FOR PC-F1A

Ref.: 120979



INSTALLATION JIG CT-18 FOR PC-RF1

Ref.: 120980



PANEL REMOVAL TOOL CT-05

Ref.: 120981



PANEL REMOVAL TOOL PAINTED PANEL CT-17

Ref.: 120982



YARD KIT 6 TOOLS CT-08

Installation tools for standard range of clips. 1 each CT-01, CT-03, CT-05, CT-07, CT-09, CT-10 in plastic box.

Ref.: 120985



SERVICE KIT CT-06S

Includes PC-M1Ax24, PC-M2Hx4, PC-SM2x4, PC-SM2Hx4, CT-10 male clip tool and CT-05 covered panel removal tool.

Ref.: 120986



YARD KIT LOW PROFILE LP-08Y

Plastic box with 1xCT-05, 1xCT-09, 1xCT-10 and 2xCT-20.

Ref.: 120987



INSTALL TOOL CT-03 FOR PC-F1A

Ref.: 120962



INSTALL TOOL FOR SELF TAPPING MALE CLIPS CT-10

Ref.: 120963



INSTALL TOOL CT-20 FOR LOW PROFILE LP-F8 & LP-DF8 (PLASTIC)

Ref.: 120968



INSTALL TOOL CT-19 FOR LOW PROFILE LP-F8 & LP-DF8 (ALUMINIUM)

Ref.: 120967

